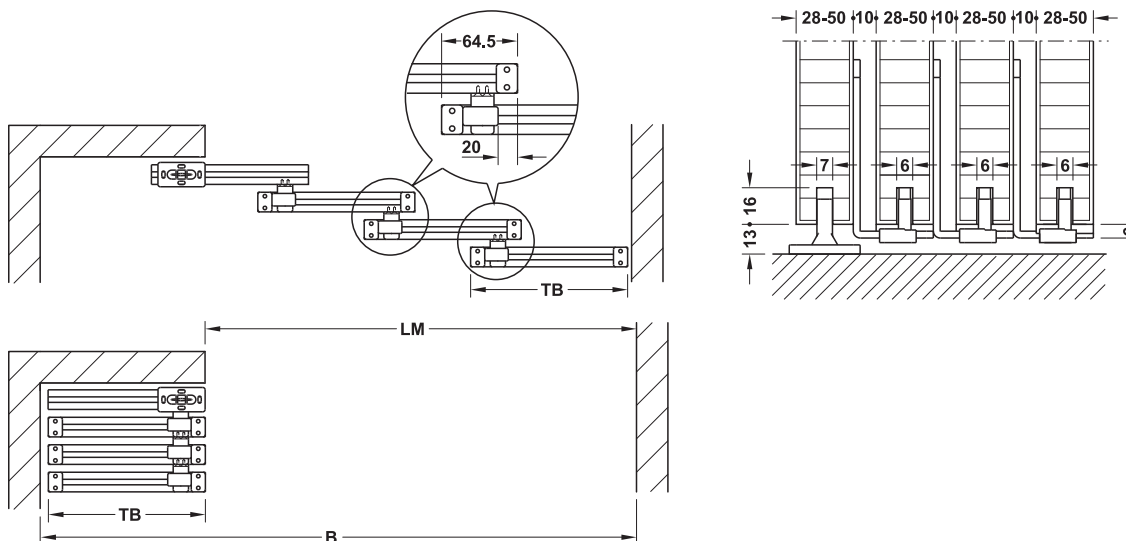


## Classic Additional set for stacking

For Classic 40-P to 120-P, 40-O to 120-O and 40-I to 120-I sliding door fittings



TB = door width, LM = internal width, B = total width

2 doors:  $TB = (LM + 129 \text{ mm})/2$

3 doors:  $TB = (LM + 193.5 \text{ mm})/3$

4 doors (see drawing):  $TB = (LM + 258 \text{ mm})/4$

- Area of application: For 2-leaf to 4-leaf sliding doors
- Functionality: For stacking 2 to 4 door leaves
- Door width:  $\geq 700 \text{ mm}$

### Note

The additional set can only be used in combination with the respective number of door sets (see cross reference), respective number of running tracks and panels (optional).

The use for versions with soft and self closing mechanism is only suitable to a limited extend as a smooth opening and closing action cannot be ensured.

		For 2 doors	For 3 doors	For 4 doors	Cat. No.
Stacking set, consists of 2 stoppers and 1 floor guide with bracket		1 set	2 sets	3 sets	940.44.001
Floor guide, plastic		1 piece	1 piece	1 piece	942.35.400

## → Running tracks and panels

### Note

Suitable end cap set is not available.

		Area of application	Material	Finish/colour	Length mm	Cat. No.
Single running track, pre-drilled, 31 x 33 mm (W x H)		For door weights 40–120 kg	Aluminium	Silver coloured anodized	2000	940.43.922
					3000	940.43.932
					6000	940.43.962
Clip panel, height 56 mm		For running track ①, ②, ③, ④ and ⑤	Aluminium	Silver coloured anodized	2000	940.43.123
					3000	940.43.133
					6000	940.43.163
Clip panel, height 68 mm		For running track ①, ②, ③, ④ and ⑤	Aluminium	Silver coloured anodized	2000	940.43.120
					3000	940.43.130
					6000	940.43.160

Classic 40-P to 120-P sliding door fitting ► BB 9.36

Classic 40-O to 120-O sliding door fitting ► BB 9.39